

10. How to Use Timer Setting Panel

1. How to Operate

1-1 7-Segment Display

7-segment display on the timer setting panel ordinary displays the current time as a function of the Clock Display Mode. However, the display is switched to the Display Sleep Mode and turns off when no panel operation is performed for more than 60 seconds. Display Sleep Mode is cancelled when either of “UP”, “DOWN” or “Func/Enter” key is pressed. When an error is occurred, a red LED on the timer setting panel turns on and an error code is displayed on the 7-segment LED display. The panel does not turn to the Display Sleep Mode while the error code is shown.

1-2 Current Time Setting

This product contains a built-in clock IC. As a part of the water heating cycle logic refers to the current time, it is necessary to set the clock before start using the product. The Current time can be set in the Clock Setting Mode as described below.

*Note

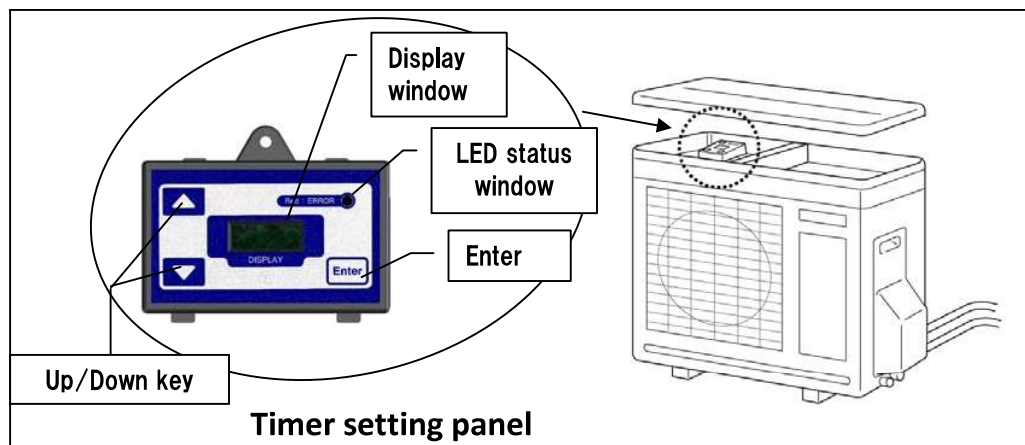
There is no need to adjust the time setting for the daylight saving period. Even if the installation is conducted during the daylight saving period, the clock setting to the ordinary time (not daylight saving time) is preferable.

1. Switching to Clock Setting Mode
Press the “Enter” key in the Clock Display Mode to switch to the Clock Setting Mode. Time Display starts flashing once the mode is switched.
2. Setting the Clock
The time setting can be adjusted by pressing “Up” and “Down” keys. Fast forward and rewind are available by pressing and holding down a key.
3. Executing Setting the Clock
After the clock is adjusted to the current time, press the Enter key to execute the setting. The time display stops flashing and comes on once the setting is finished.

*Caution

The display automatically goes back to the Clock Display Mode when no panel operation is performed for more than 60 seconds in the Clock Setting Mode. If this occurs, changes made will not be reflected to the setting. If the clock setting is rewound to a time that is earlier than the time when a heating cycle is triggered, the system will start the heating cycle.

*Note When no panel operation is performed for more than 60 seconds the display is switched to the Display Sleep Mode and turns off. Display Sleep Mode is cancelled when Up, Down or Enter key is pressed.



1-3 Maintenance Mode

Maintenance Mode is a function to check the heat pump status check and perform other settings.

It should generally be assumed that a user do not operate this function.

1-3-1 Types of Maintenance Mode

There are some modes as described below exist in the Maintenance Mode.

(1) Blockout Time Setting Mode

This is a mode to set the blockout time (a setting to block HP unit operation within the setting time)

(2) Error History Display Mode

This is a mode to check the history of occurred errors.

(3) Parameter Display Mode

This is a mode to check the values measured by thermistors, etc.

(4) Drive Setting Mode

This is a mode to switch on/off the HP unit.

This mode is to disable the Heat Pump operation. Make sure to put the setting back to “d_on” mode after using this mode.

(5) Compulsory Operation Mode

This is a mode to compulsorily operate the water heating cycle.

This mode is to start the Heat Pump operation immediately no matter the timer setting.

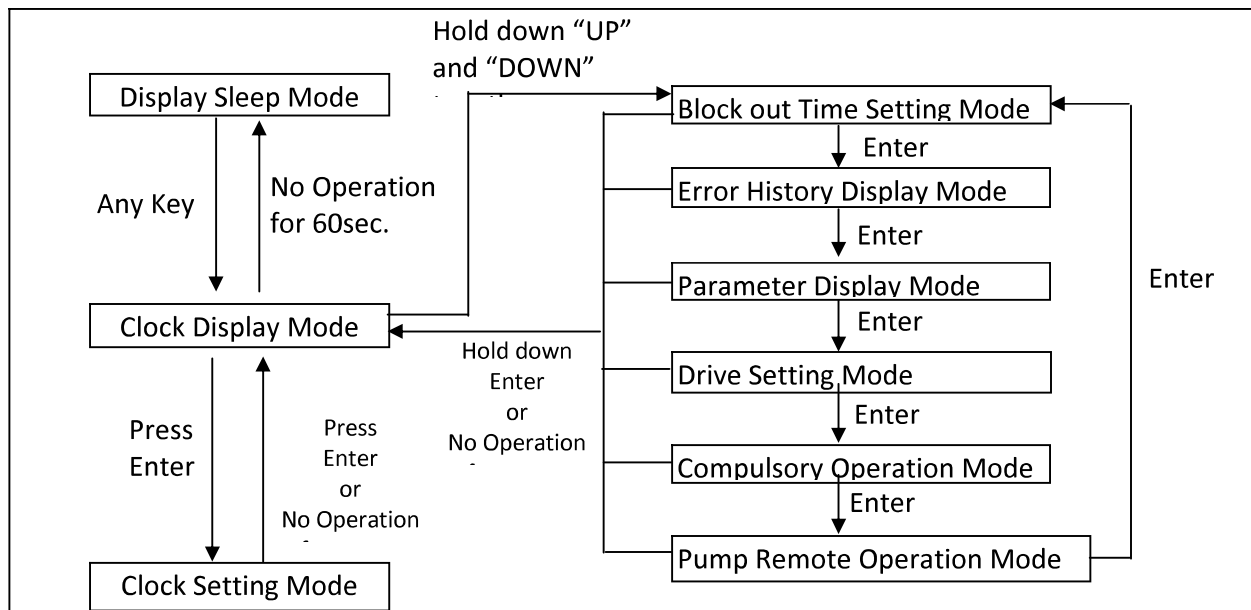
(6) Pump Remote Operation Mode

This is a mode to run the water circulation pump

This mode is used when you would like to manually remove the air inside the heat pump unit.

1-3-2 How to switch to Maintenance Mode

Press and hold down Up and Down keys together in the clock display mode to go to the maintenance mode. After the mode is switched, press the Enter key to select a mode from the six modes described above. To finish the maintenance mode, press and hold down the Enter key, or leave for more than 60 seconds with no panel operation.



1-3-3 Block out time setting mode

This mode is used to set the block out time that blocks the heat pump unit operation within the setting time.

Block out times are used if the customer has a time of use tariff.

Change the mode

Press and hold down Up and Down keys together in the clock display mode to go to the block out time setting mode. Once the mode is changed, 'bo' and '00XX' (00 = start time, XX = end time) are displayed. (Initial setting = 00 o'clock for both start and end)

Adjust set block out start time

Press Up or Down key and '00' (start time) in '00XX' starts flashing and 'XX' (end time) illuminates. Now the block out start time can be adjusted. Setting can be performed only in hour increments, not in minutes.

Set block out start time

Press the Enter key to set the desired time setting. After the start time is set, the start time display stops flashing. The end time display starts flashing at the same time.

Adjust block out end time

Set to the desired end time by using Up and Down keys. Setting can be performed only in hour increments, not in minutes.

Set block out end time

Press enter key to adjust the desired time setting. After the end time is set, the start time and end time are displayed for two seconds, then it starts to display 'bo' and '00XX' (00 = start time, XX = end time) by turns.

Go back to clock display mode

Press Enter key to go back to the clock display mode. It will automatically go back to the clock display mode when no panel operation is performed for more than 60 seconds. Block out time setting mode cannot be set unless the end time setting is executed.

Cancel block out setting

To cancel the block out setting, set both start and end times to '00'. Setting to other than '00' (01 ~ 23) will be interpreted as a setting error and the end time will flash. Make sure to set both times to '00' when cancelling the block out time setting